

Material Specifications / Materialspezifikationen



Symbol	Screw	Housing	Band
W1	DIN - 1132 (Cq 15) Steel zinc plated, chromated	DIN-1.0330 Mild steel, tensile strength min 400 N/mm2	DIN-1.0330 Mild steel, tensile strength min 400 N/mm2
W2	DIN - 1132 (Cq 15) Steel zinc plated, chromated	AISI - 430 (1.4016) Stainless steel Acier inoxydable	AISI - 430 (1.4016) Stainless steel
W3	AISI - 430 (1.4016) Stainless steel	AISI - 430 (1.4016) Stainless steel	AISI - 430 (1.4016) Stainless steel
W4	AISI - 304 (1.4301) Stainless steel	AISI - 304 (1.4301) Stainless steel	AISI - 304 (1.4301) Stainless steel
W5	AISI - 316 (1.4401) Stainless steel	AISI - 316 (1.4401) Stainless steel	AISI - 316 (1.4401) Stainless steel

Symbol	Schraubschelle	Gehäuse	Band
W1	DIN - 1132 (Cq 15) Chromatiert Stahl verzinkt	DIN-1.0330 Chromatiert Stahl verzinkt 400 N/mm2	DIN-1.0330 Chromatiert Stahl verzinkt 400 N/mm2
W2	DIN - 1132 (Cq 15) Chromatiert Stahl verzinkt	AISI - 430 (1.4016) Edelstahl	AISI - 430 (1.4016) Edelstahl
W3	AISI - 430 (1.4016) Edelstahl	AISI - 430 (1.4016) Edelstahl	AISI - 430 (1.4016) Edelstahl
W4	AISI - 304 (1.4301) Edelstahl	AISI - 304 (1.4301) Edelstahl	AISI - 304 (1.4301) Edelstahl
W5	AISI - 316 (1.4401) Edelstahl	AISI - 316 (1.4401) Edelstahl	AISI - 316 (1.4401) Edelstahl

Material Specifications ■ **WD 9**

Order No Bestell no	Hose OD Schlauch AD mm Inch		b1 mm	b2 max.mm	S mm	h max.mm	AD mm.max	PD mm.max	Qty./Pack. Anzahl/Pak.	Weight Gewicht (Kg.)
WD 9 - 8.12	8 - 12	5/16 - 1/2	9.0	14.0	0.6	11.0	2.0	2.6	1000	10.2
WD 9 - 10.16	10 - 16	3/8 - 5/8	9.0	14.0	0.6	11.0	2.0	2.6	1000	10.7
WD 9 - 12.20	12 - 20	1/2 - 3/4	9.0	14.0	0.6	11.0	2.0	2.6	1000	11.3
WD 9 - 12.22	12 - 22	1/2 - 7/8	9.0	14.0	0.6	11.0	4.0	5.0	750	10.0
WD 9 - 16.25	16 - 25	5/8 - 1	9.0	14.0	0.6	11.0	4.0	5.0	750	10.4
WD 9 - 16.27	17 - 27	5/16 - 1.1/16	9.0	14.0	0.6	11.0	4.0	5.0	500	10.6
WD 9 - 20.32	20 - 32	3/4 - 1.1/4	9.0	14.0	0.6	11.0	4.0	5.0	500	7.5
WD 9 - 23.35	23 - 35	7/8 - 1 1/3	9.0	14.0	0.6	11.0	4.0	5.0	750	7.7
WD 9 - 25.40	25 - 40	1 - 1.1/8	9.0	14.0	0.6	11.0	4.0	5.0	500	12.5
WD 9 - 30.45	30 - 45	1.3/16 - 1.3/4	9.0	14.0	0.6	11.0	4.0	5.0	500	8.9
WD 9 - 32.50	32 - 50	1.1/4 - 2	9.0	14.0	0.6	11.0	4.0	5.0	500	9.2
WD 9 - 40.60	40 - 60	1.5/8 - 2.3/8	9.0	14.0	0.6	11.0	4.0	5.0	500	9.9
WD 9 - 50.70	50 - 70	2 - 2.3/4	9.0	14.0	0.6	11.0	4.0	5.0	500	10.8
WD 9 - 60.80	60 - 80	2.3/8 - 3.1/8	9.0	14.0	0.6	11.0	4.0	5.0	500	12.2
WD 9 - 70.90	70 - 90	2.3/4 - 3.1/4	9.0	14.0	0.6	11.0	4.0	5.0	250	11.5
WD 9 - 80.100	80 - 110	3.1/8 - 4	9.0	14.0	0.6	11.0	4.0	5.0	250	6.9
WD 9 - 90.110	90 - 110	3.1/2 - 4.3/8	9.0	14.0	0.6	11.0	4.0	5.0	250	7.2
WD 9 - 100.120	100 - 120	4 - 4.3/4	9.0	14.0	0.6	11.0	4.0	5.0	250	7.5
WD 9 - 110.130	110 - 130	4.3/8 - 5.1/8	9.0	14.0	0.6	11.0	4.0	5.0	250	7.9
WD 9 - 120.140	120 - 140	4.3/4 - 5.1/2	9.0	14.0	0.6	11.0	4.0	5.0	200	8.2
WD 9 - 130.150	130 - 150	4.1/8 - 5.7/8	9.0	14.0	0.6	11.0	4.0	5.0	200	7.0
WD 9 - 140.160	140 - 160	5.1/2 - 6.5/4	9.0	14.0	0.6	11.0	4.0	5.0	200	7.3
WD 9 - 150.170	150 - 170	5.7/7 - 6.1/8	9.0	14.0	0.6	11.0	4.0	5.0	200	7.6
WD 9 - 160.180	160 - 180	6.1/4 - 7	9.0	14.0	0.6	11.0	4.0	5.0	150	7.9
WD 9 - 170.190	170 - 190	6.5/8 - 7.3/8	9.0	14.0	0.6	11.0	4.0	5.0	100	6.5
WD 9 - 180.200	180 - 200	7 - 7.7/8	9.0	14.0	0.6	11.0	4.0	5.0	100	4.8

Worm Drive Clamps

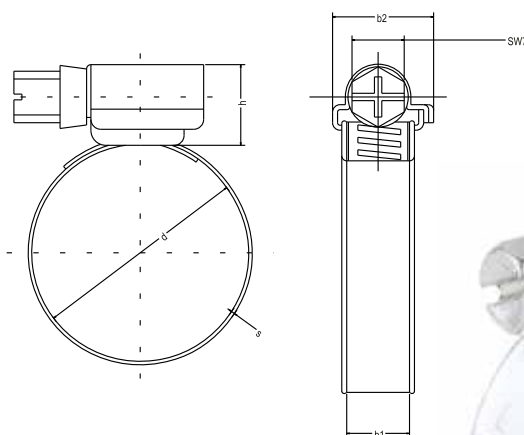
- * Production confirm to DIN 3017
- * Band Widths are : 9 mm (WD 9)
- * Embossed clamp band non-perforated
- * Hexagon SW7 with slotted screw head
- * Large Clamping range
- * Material : W1, W2, W3, W4 and W5

Collier vis tangente

- * Produktion nach DIN 3017
- * Bandbreite : 9 mm
- * Aus nicht perforiertem Bandmaterial
- * Hexagon SW 7 mit Präzisionsschraube
- * Hoher Durchmesserbereich
- * Material : W1, W2, W3, W4 und W5

(AD) Using torque / Betriebsttorque
(PD) Test torque / Probetorque

For optional orders please add the symbol of your option end of the order no.
Bei Optionsbestellungen Kennbuchstabe bitte hinzufügen (Beispiel:WD9 - 8.12 - W2)



WD 12 ■ Material Specifications

Order No Bestell no	Hose OD Schlauch AD		b1	b2	S	h	AD	PD	Qty./Pack. Anzahl/Pak.	Weight Gewicht (Kg.)
	mm	Inch								
WD 12 - 16.25	16.25	5/8 - 1	12.0	20.0	0.7	12.0	0.5	6.5	500	9.3
WD 12 - 16.27	16.27	5/16-1 1/16	12.0	20.0	0.7	12.0	0.5	6.5	500	9.5
WD 12 - 20.32	20.32	3/4-1 1/4	12.0	20.0	0.7	12.0	0.5	6.5	500	10.0
WD 12 - 23.35	23.35	7/8-1 1/3	12.0	20.0	0.7	12.0	0.5	6.5	750	15.7
WD 12 - 25.40	25.40	1 - 1 1/8	12.0	20.0	0.7	12.0	0.5	6.5	500	11.2
WD 12 - 30.45	30.45	1 3/16 - 1 3/4	12.0	20.0	0.7	12.0	0.5	6.5	500	11.7
WD 12 - 32.50	32.50	1 1/4 - 2	12.0	20.0	0.7	12.0	0.5	6.5	500	12.2
WD 12 - 40.60	40.60	1 5/8 - 2 3/8	12.0	20.0	0.7	12.0	0.5	6.5	500	13.5
WD 12 - 50.70	50.70	2 - 2 3/4	12.0	20.0	0.7	12.0	0.5	6.5	500	14.6
WD 12 - 60.80	60.80	2 3/8 - 3 1/8	12.0	20.0	0.7	12.0	0.5	6.5	500	15.7
WD 12 - 70.90	70.90	2 3/4 - 3 1/4	12.0	20.0	0.7	12.0	0.5	6.5	250	13.6
WD 12 - 80.100	80.100	3 1/8 - 4	12.0	20.0	0.7	12.0	0.5	6.5	250	9.3
WD 12 - 90.110	90.110	3 1/2 - 4 3/4	12.0	20.0	0.7	12.0	0.5	6.5	250	9.9
WD 12 - 100.120	100.120	4 - 4 3/4	12.0	20.0	0.7	12.0	0.5	6.5	250	10.4
WD 12 - 110.130	110.130	4 3/8 - 5 1/8	12.0	20.0	0.7	12.0	0.5	6.5	250	8.9
WD 12 - 120.140	120.140	4 3/4 - 5 1/2	12.0	20.0	0.7	12.0	0.5	6.5	200	9.3
WD 12 - 130.150	130.150	4 1/8 - 5 7/8	12.0	20.0	0.7	12.0	0.5	6.5	200	9.8
WD 12 - 140.160	140.160	5 1/2 - 6 5/4	12.0	20.0	0.7	12.0	0.5	6.5	200	10.2
WD 12 - 150.170	150.170	5 7/8 - 6 1/8	12.0	20.0	0.7	12.0	0.5	6.5	200	10.6
WD 12 - 160.180	160.180	6 1/4 - 7	12.0	20.0	0.7	12.0	0.5	6.5	150	8.5
WD 12 - 170.190	170.190	6 5/8 - 7 3/8	12.0	20.0	0.7	12.0	0.5	6.5	100	8.8
WD 12 - 180.200	180.200	7 - 7 7/8	12.0	20.0	0.7	12.0	0.5	6.5	100	6.4

Worm Drive Clamps

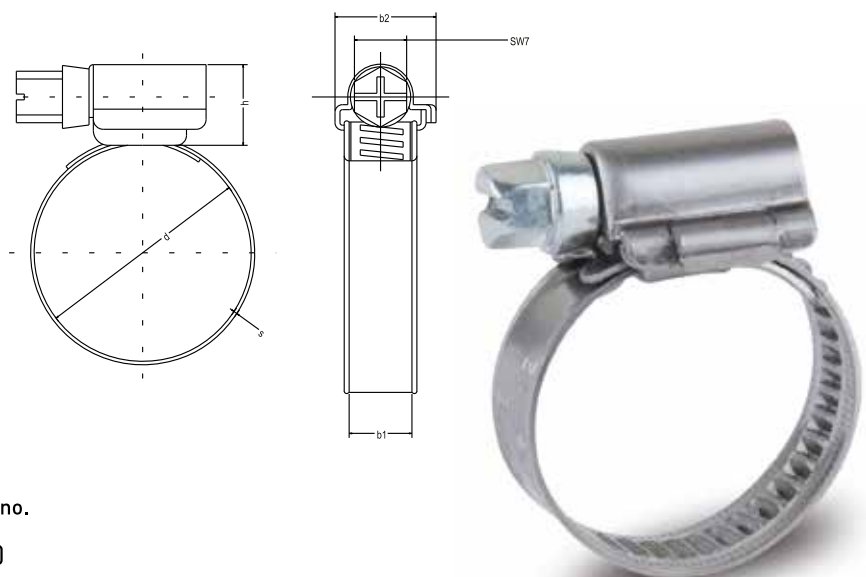
- * Production confirm to DIN 3017
- * Band Widths are : 9 mm (WD 9)
- * Embossed clamp band non-perforated
- * Hexagon SW7 with slotted screw head
- * Large Clamping range
- * Material : W1, W2, W3, W4 and W5

Collier vis tangente

- * Produktion nach DIN 3017
- * Bandbreite : 9 mm
- * Aus nicht perforiertem Bandmaterial
- * Hexagon SW 7 mit Präzisionsschraube
- * Hoher Durchmesserbereich
- * Material : W1, W2, W3, W4 und W5

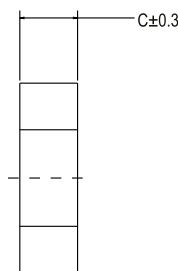
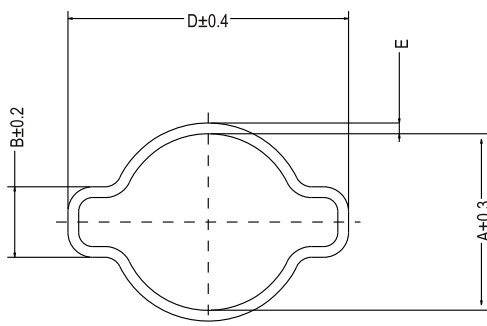
(A) Using torque / Betriebstorque
(PD) Test torque / Probetorque

For optional orders please add the symbol of your option end of the order no.
Bei Optionsbestellungen Kennbuchstabe bitte hinzufügen (Beispiel:WD9 - 8.12 - W2)



Two Ears Clamps * Material : W1, W4 ■ CK

Order No Bestell no	Hose OD Schlauch AD mm Inch	A	B	C	D	E	Materia	Qty./Pack. Anzahl/Pak.
CK 0207	5-7	7.3	4.3	6.0	11.0	0.6	W1	1000
CK 0209	7-9	9.3	4.8	6.0	13.5	0.8	W1	1500
CK 0211	9-11	11.3	5.3	6.5	17.0	0.8	W1	900
CK 0212	10-12	12.3	5.5	6.5	18.0	0.9	W1	800
CK 0213	11-13	13.3	5.8	6.5	19.0	0.9	W1	700
CK 0215	13-15	15.3	6.3	7.0	21.5	1.0	W1	500
CK 0217	14-17	17.5	6.6	7.0	24.0	1.2	W1	400
CK 0218	15-18	18.5	7.0	7.5	25.0	1.2	W1	350
CK 0220	17-20	20.5	7.6	7.5	27.0	1.2	W1	250
CK 0221	18-21	21.5	7.9	8.0	28.0	1.2	W1	250
CK 0223	20-23	23.5	8.5	8.0	31.0	1.3	W1	200
CK 0225	22-25	25.5	9.1	8.5	33.0	1.4	W1	140
CK 0227	23-27	27.5	9.4	8.5	35.0	1.4	W1	140
CK 0228	25-28	28.5	10.0	9.0	36.0	1.4	W1	120
CK 0231	28-31	31.5	10.6	9.0	39.0	1.4	W1	100
CK 0234	31-34	34.5	11.0	9.5	42.0	1.4	W1	90
CK 0237	34-37	37.5	11.5	9.5	46.0	1.6	W1	80
CK 0240	37-40	40.5	12.0	10.0	49.0	1.6	W1	60
CK 0243	40-43	43.5	12.5	10.0	53.0	1.6	W1	50
CK 0246	43-46	46.5	13.0	10.0	56.0	1.6	W1	50
CK 0707	5-7	7.3	4.3	6.0	11.5	0.6	W4	1000
CK 0709	7-9	9.3	4.8	6.0	14.5	0.8	W4	1500
CK 0711	9-11	11.3	5.3	6.5	17.0	0.8	W4	900
CK 0713	11-13	13.3	6.3	6.5	19.0	0.8	W4	700
CK 0715	13-15	15.3	5.8	7.0	21.5	1.0	W4	500
CK 0717	14-17	17.5	6.6	7.0	24.0	1.0	W4	400
CK 0718	15-18	18.5	7.0	7.5	25.0	1.0	W4	350
CK 0720	17-20	20.5	7.6	7.5	27.0	1.0	W4	250
CK 0721	18-21	21.5	7.9	8.0	28.0	1.0	W4	250
CK 0723	20-23	23.5	8.5	8.0	30.0	1.0	W4	200
CK 0725	22-25	25.5	9.1	8.5	33.0	1.2	W4	140

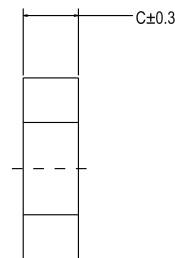
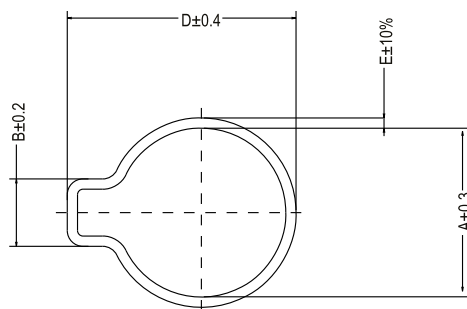


Two Ears Clamps
* Material : W1, W4

2 Ohr Schlauchklemmen
* Material : W1, W4

TK ■ One Ear Clamp * Material : W1, W4

Order No Bestell no	Hose OD Schlauch AD mm Inch	A	B	C	D	E	Materia	Qty./Pack. Anzahl/Pak.
TK 0110	8-10		4.3	6.0	14.0	0.8	W1	1500
TK 0111	9-11		4.8	6.0	15.0	0.8	W1	1200
TK 0112	10-12	10.3	5.3	7.0	16.0	0.8	W1	1000
TK 0113	11-13	11.3	5.5	7.5	17.0	0.9	W1	900
TK 0114	12-14	12.3	5.8	8.0	18.5	1.0	W1	800
TK 0115	14-16	13.3	6.3	8.5	20.5	1.1	W1	700
TK 0116	16-18	14.3	6.6	9.5	23.5	1.2	W1	500
		15.5						
TK 0609	7-9	16.5	5.5	6.0	13.0	0.8	W4	1500
TK 0610	8-10		6.0	6.0	14.0	0.8	W4	1200
TK 0611	9-11	9.3	6.5	6.5	15.0	0.8	W4	1000
TK 0613	11-13	10.3	6.5	6.5	17.0	0.8	W4	800
TK 0614	12-14	11.3	7.0	7.0	18.5	1.0	W4	700
TK 0615	13-15	13.3	7.0	7.0	19.5	1.0	W4	600
TK 0616	14-16	14.3	7.0	7.0	20.5	1.0	W4	500
TK 0617	15-17	15.3	7.0	7.0	22.0	1.0	W4	400
TK 0618	16-18	16.3	7.0	7.0	23.0	1.0	W4	400
TK 0619	17-19	17.5	7.5	7.5	24.0	1.0	W4	300
TK 0620	18-20	18.5	7.5	7.5	25.0	1.0	W4	250
		19.5						
		20.5						

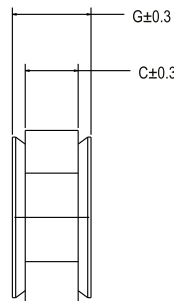
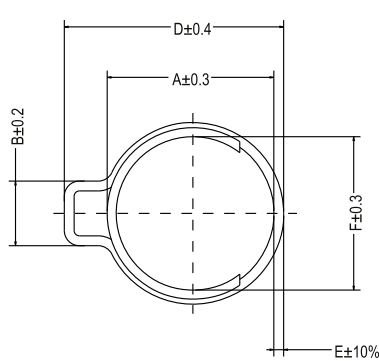


Two Ears Clamps
* Material : W1, W4

1 Ohr Schlauchklemmen
* Material : W1, W4

One Ear Clamp * Material : W1, W4 ■ KR

Order No Bestell no	Hose OD Schlauch AD mm Inch	A	B	C	D	E	F	G	Materia	Qty./Pack. Anzahl/Pak.
KR 109	7.5 - 8.5	9.3	5.5	6.0	13.0	0.8	8.5	7.8	W1	1500
KR 110	8.0 - 9.5	10.3	6.0	6.0	14.0	0.8	9.5	7.8	W1	1200
KR 111	9.0 - 10.5	11.3	6.5	6.5	15.0	0.8	10.5	7.8	W1	1000
KR 112	10.0 - 11.5	12.3	6.5	6.5	16.0	0.8	11.5	7.8	W1	900
KR 113	10.5 - 12.5	13.3	6.5	6.5	17.0	0.9	12.5	7.8	W1	800
KR 114	14.0 - 13.5	14.3	7.0	7.0	18.5	1.0	13.5	8.8	W1	700
KR 116	13.0 - 15.5	16.5	7.0	7.0	20.5	1.1	15.5	8.8	W1	500
KR 118	15.0 - 17.5	18.5	7.0	7.0	23.0	1.2	17.5	8.8	W1	400
KR 609	7.5 - 8.5	9.3	5.5	6.0	13.0	0.8	8.5	7.8	W4	1500
KR 610	8.0 - 9.5	10.3	6.0	6.0	14.0	0.8	9.5	7.8	W4	1200
KR 611	9.0 - 10.5	11.3	6.5	6.5	15.0	0.8	10.5	7.8	W4	1000
KR 612	10.0 - 11.5	12.3	7.0	6.5	16.0	0.8	11.5	7.8	W4	900
KR 613	11.0 - 12.5	13.3	7.5	6.5	17.0	0.8	12.5	7.8	W4	800
KR 614	12.0 - 13.5	14.3	8.0	7.0	18.5	1.0	13.5	8.8	W4	700
KR 615	13.0 - 14.5	15.3	8.0	7.0	19.5	1.0	14.5	8.8	W4	600
KR 616	14.0 - 15.5	16.3	8.5	7.0	20.5	1.0	15.3	8.8	W4	500
KR 617	15.0 - 16.5	17.5	9.0	7.0	22.0	1.0	16.3	8.8	W4	400
KR 618	16.0 - 17.5	18.5	9.0	7.0	23.0	1.0	17.3	8.8	W4	400
KR 619	17.0 - 18.5	19.5	9.5	7.5	24.0	1.0	18.3	9.8	W4	300
KR 620	18.0 - 19.5	20.5	10.0	7.5	25.0	1.0	19.3	9.8	W4	250



One Ear Clamps with inner ring
* Material : W1, W4, Ring AISI-304

1 - Ohr Schlauchklemme mit Einlagering
* Material : W1, W4, Einlagering AISI -304

CC ■

Order No Bestell No	Hose OD Schlauch AD (mm)	d1 b1=12mm dn=5.3mm	d1 b1=15mm dn=6.4mm	d1 b1=20mm dn=8.4mm	d1 b1=25mm dn=10.5mm	Qty./Pack. Anzahl/Pak
CC 4.0	4.0	•	•	-	-	100
CC 5.0	5.0	•	•	-	-	100
CC 6.0	6.0	•	•	-	-	100
CC 7.0	7.0	•	•	-	-	100
CC 8.0	8.0	•	•	-	-	100
CC 9.0	9.0	•	•	-	-	100
CC 10.0	10.0	•	•	-	-	100
CC 11.0	11.0	•	•	-	-	100
CC 12.0	12.0	•	•	-	-	100
CC 13.0	13.0	•	•	-	-	100
CC 14.0	14.0	•	•	-	-	100
CC 15.0	15.0	•	•	•	•	100
CC 16.0	16.0	•	•	•	•	100
CC 17.0	17.0	•	•	•	•	100
CC 18.0	18.0	•	•	•	•	100
CC 19.0	19.0	•	•	•	•	100
CC 20.0	20.0	•	•	•	•	100
CC 25.0	25.0	•	•	•	•	100
CC 45.0	45.0	•	•	•	•	100
CC 50.0	50.0	•	•	•	•	100

Connection Clamps

- * Production confirm to DIN 3016
- * Without rubber cover
- * With rubber cover
- * Material : W1, W3, W4, W5

Anschlußklemmen

- * Produktion nach DIN 3016
- * Ohne Kautschuk
- * Mit Kautschuk
- * Material : W1, W3, W4, W5

